

WMEL

We Illuminate



COMERCIAL AND INDUSTRIAL **LED LIGHTING**



www.wmel.in

About Company

WMEL Energy is a leading system integration and energy services company with focus on power generation projects through renewable sources and manufacturing of energy efficient electrical appliances.

We offer consulting services to individuals and organizations to optimize their power consumption and become self sufficient to generate their own power using environment friendly technologies.

We specialize in lighting projects where

- Running and maintenance costs must be minimized,
- Unique and modern solutions are required for distinction,
- Long life and high quality of lighting is crucial,
- Low heat production is desirable, and
- Installation challenges must be overcome.

INNOVATIVE LEADERS

In contrast to many others in this industry, we are not confined to distributing off-the-shelf products from overseas. Rather we can create, from start to finish, products that are specifically suited to our client's needs. We test, guarantee and fully support all our products.

We can also

- | Help you develop creative ideas
- | Work from design specifications
- | Organize and supervise the installation

LED Lighting

A REVOLUTION IN LIGHTING

LED lighting is creating a revolution in the lighting industry by providing fresh solutions for traditional lighting applications and exciting new applications for lighting that we can currently barely imagine. Take a look at the benefits.

Outstanding Flexibility for decorative lighting solutions

Being very small, LEDs can be easily integrated into all sorts of objects, furniture and architecture to produce creative lighting solutions by 'hidden' light sources.

Saturated colours or white

LEDs produce vivid, saturated colours without filtering or serval whites including fresh and warm white.

Dynamic effects

LEDs bring appealing dynamic lighting effects - such as colour mixing and changing for scene - setting - to outdoor and indoor applications.

Easy electronic control

LEDs switch on right away and can be easily dimmed while keeping stable colours.

High light output without heat, UV or infraed

LEDs produce light without heat, UV or infrared, therefore ideal to illyminate sensitive objects without causing damage or heating up materials.

Even applicable in wet and cold environments

LED for outdoor environments are sealed waterproof and can cold start down to - 40 degrees Celsius.

Exceptionally low maintenance

with lifetimes up to 80,000 hours, WMEL solutions last up to 80 times longer than conventional ones. Simply install and forget!

Exceptionally low operating costs

LED solutions are highly energy efficient, when compared to conventional light sources, especially to filtered light solutions.



COMPANY Certification

- ISO 9001: 2008
- BIS Certified
- CE Certificate
- CRISIL Rated Organization
- NSIC Certificate
- LM 79 Test Reports
- LM 80 rated LEDs for all products
- IP Test Reports
- Harmonic Test Reports
- NABL Accreditation for testing third party testing Laboratory
- Endurance Test Reports
- Ingress protection certifications for all outdoor products.
- All other tests as per Indian and international standards.



Table Of Content

LED STREET LIGHT 01

LED FLOOD LIGHT 08

LED STADIUM LIGHT 17

LED FLAME PROOF LIGHT 19

LED HIGHBAY LIGHT 22

LED WELL GLASS LIGHT 24





LED STREET LIGHT

STREET LIGHT

30-50w

Light source

High efficiency long life LED module with SMD LED package mounted on MCPCB, Lumen efficacy of LED 170 lm/W with PC lens to ensure better uniformity of light distribution.

Product Feature

- Delivers excellent illumination
- Long Life & photobiologically safe LEDs
- High performance electronic driver ensures zero maintenance
- Search protection upto 10kV
- IP 66 certified.
- Environment-friendly as it does not contain Mercury
- Instant light with low running temperatures
- Operating temperature: -10 C to + 55 C
- Operating voltage range: 120 V - 270 V
- Aluminium casting
- Tempered protective toughened glass thermal, shock and impact-resistant, fixed to the housing with SS screws



TECHNICAL DRAWING



Application Areas

- City road lighting
- Shopping center perimeter lighting etc.

TECHNICAL SPECIFICATION

MODEL	SYSTEM POWER(W)	DIMENSIONS (MM)	COMPLETE LIGHT WEIGHT (APPROX)	NOMINAL VOLTAGE (V)	MAINS CURRENT (A)	COLOR RENDERING INDEX (CRI)	SYSTEM LUMENS (LM) (+/-5%)	COLOUR TEMP (CCT)	SYSTEM LUMENS EFFICACY LM/W	THD	PF
SL0B	25	254X90X60	1.6	230	0.109	>=70	>=2625	6000 ± 500K	Minimum 105 lm/W	<10%	>0.95
SL1AF	36	254X90X61	1.6	230	0.157	>=70	>=3780	6001 ± 500K	Minimum 105 lm/W	<10%	>0.95
SL1B	40	254X90X62	1.8	230	0.174	>=70	>=4200	6002 ± 500K	Minimum 105 lm/W	<10%	>0.95

STREET LIGHT

50w

Light source

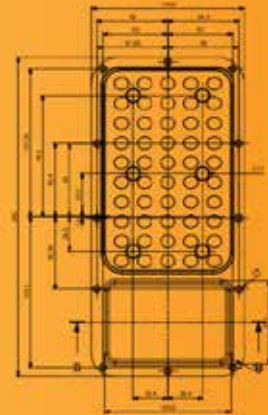
High efficiency long life LED module with SMD LED package mounted on MCPCB, Lumen efficacy of LED 170 lm/W with PC lens to ensure better uniformity of light distribution.

Product Feature

- Delivers excellent illumination
- Long Life & photobiologically safe LEDs
- High performance electronic driver ensures zero maintenance
- Search protection upto 10kV
- IP 66 certified.
- Environment-friendly as it does not contain Mercury
- Instant light with low running temperatures
- Operating temperature: -10 C to + 55 C
- Operating voltage range: 120 V - 270 V
- Aluminium casting
- Tempered protective toughened glass thermal, shock and impact-resistant, fixed to the housing with SS screws



TECHNICAL DRAWING



Application Areas

- City road lighting
- Shopping center perimeter lighting etc.

TECHNICAL SPECIFICATION

MODEL	SYSTEM POWER(W)	DIMENSIONS (MM)	COMPLETE LIGHT WEIGHT (APPROX)	NOMINAL VOLTAGE (V)	MAINS CURRENT (A)	COLOR RENDERING INDEX (CRI)	SYSTEM LUMENS (LM) (+/-5%)	COLOUR TEMP (CCT)	SYSTEM LUMENS EFFICACY LM/W	THD	PF
SL1D	50	390X145X40	1.1	230	0.217	>=70	>=5250	6000 ± 500K	Minimum 105 lm/W	<10%	>0.95

STREET LIGHT

70-100w

Light source

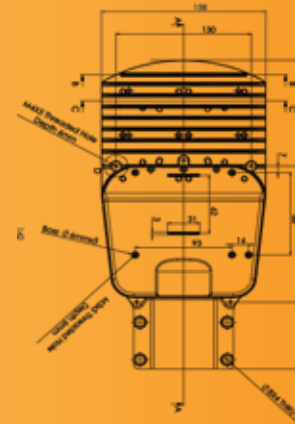
High efficiency long life LED module with SMD LED package mounted on MCPCB, Lumen efficacy of LED 170 lm/W with PC lens to ensure better uniformity of light distribution.

Product Feature

- Delivers excellent illumination
- Long Life & photobiologically safe LEDs
- High performance electronic driver ensures zero maintenance
- Search protection upto 10kV
- IP 66 certified.
- Environment-friendly as it does not contain Mercury
- Instant light with low running temperatures
- Operating temperature: -10 C to + 55 C
- Operating voltage range: 120 V - 270 V
- Aluminium casting
- Tempered protective toughened glass thermal, shock and impact-resistant, fixed to the housing with SS screws



TECHNICAL DRAWING



Application Areas

- City road lighting
- Shopping center perimeter lighting etc.

TECHNICAL SPECIFICATION

MODEL	SYSTEM POWER(W)	DIMENSIONS (MM)	COMPLETE LIGHT WEIGHT (APPROX)	NOMINAL VOLTAGE (V)	MAINS CURRENT (A)	COLOR RENDERING INDEX (CRI)	SYSTEM LUMENS (LM) (+/-5%)	COLOUR TEMP (CCT)	SYSTEM LUMENS EFFICACY LM/W	THD	PF
SL1E	60	310X158X60	2.4	230	0.261	>=70	>=6300	6000 ± 500K	Minimum 105 lm/W	<10%	>0.95
SL2A	70	310X158X61	2.5	230	0.304	>=70	>=7350	6000 ± 500K	Minimum 105 lm/W	<10%	>0.95
SL2B	75	310X158X62	2.6	230	0.326	>=70	>=7875	6000 ± 500K	Minimum 105 lm/W	<10%	>0.95
SL2C	80	310X158X63	2.7	230	0.348	>=71	>=8400	6000 ± 500K	Minimum 105 lm/W	<10%	>0.95



LED STREET LIGHT

STREET LIGHT

100w

Light source

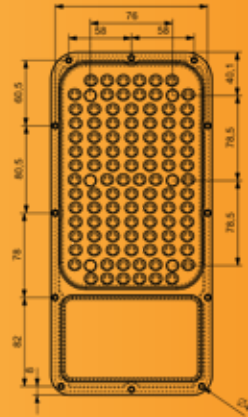
High efficiency long life LED module with SMD LED package mounted on MCPCB, Lumen efficacy of LED 170 lm/W with PC lens to ensure better uniformity of light distribution.

Product Feature

- Delivers excellent illumination
- Long Life & photobiologically safe LEDs
- High performance electronic driver ensures zero maintenance
- Search protection upto 10kV
- IP 66 certified.
- Environment-friendly as it does not contain Mercury
- Instant light with low running temperatures
- Operating temperature: -10 C to + 55 C
- Operating voltage range: 120 V - 270 V
- Aluminium casting
- Tempered protective toughened glass thermal, shock and impact-resistant, fixed to the housing with SS screws



TECHNICAL DRAWING



Application Areas

- City road lighting
- Shopping center perimeter lighting etc.

TECHNICAL SPECIFICATION

MODEL	SYSTEM POWER(W)	DIMENSIONS (MM)	COMPLETE LIGHT WEIGHT (APPROX)	NOMINAL VOLTAGE (V)	MAINS CURRENT (A)	COLOR RENDERING INDEX (CRI)	SYSTEM LUMENS (LM) (+/-5%)	COLOUR TEMP (CCT)	SYSTEM LUMENS EFFICACY LM/W	THD	PF
SL3B	100	450X170X50	2.5	230	0.435	>=70	>=10500	6000 ± 500K	Minimum 105 lm/W	<10%	>0.95

STREET LIGHT

150-200w

Light source

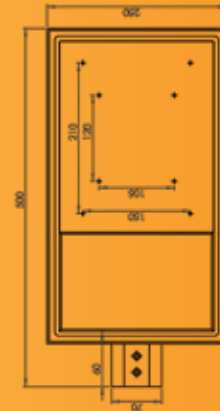
High efficiency long life LED module with SMD LED package mounted on MCPCB, Lumen efficacy of LED 170 lm/W with PC lens to ensure better uniformity of light distribution.

Product Feature

- Delivers excellent illumination
- Long Life & photobiologically safe LEDs
- High performance electronic driver ensures zero maintenance
- Search protection upto 10kV
- IP 66 certified.
- Environment-friendly as it does not contain Mercury
- Instant light with low running temperatures
- Operating temperature: -10 C to + 55 C
- Operating voltage range: 120 V - 270 V
- Aluminium casting
- Tempered protective toughened glass thermal, shock and impact-resistant, fixed to the housing with SS screws



TECHNICAL DRAWING



Application Areas

- City road lighting
- Shopping center perimeter lighting etc.

TECHNICAL SPECIFICATION

MODEL	SYSTEM POWER(W)	DIMENSIONS (MM)	COMPLETE LIGHT WEIGHT (APPROX)	NOMINAL VOLTAGE (V)	MAINS CURRENT (A)	COLOR RENDERING INDEX (CRI)	SYSTEM LUMENS (LM) (+/-5%)	COLOUR TEMP (CCT)	SYSTEM LUMENS EFFICACY LM/W	THD	PF
SL4A	150	413X198X63	3.8	230	0.652	>=70	>=15750	6000 ± 500K	Minimum 105 lm/W	<10%	>0.95
SL4B	160	413X198X63	3.8	230	0.696	>=70	>=16800	6000 ± 500K	Minimum 105 lm/W	<10%	>0.95
SL4C	180	413X198X63	4.2	230	0.783	>=70	>=18900	6000 ± 500K	Minimum 105 lm/W	<10%	>0.95
SL5A	200	413X198X63	4.2	230	0.810	>=71	>=21000	6000 ± 500K	Minimum 105 lm/W	<10%	>0.95



LED FLOOD LIGHT

FLOOD LIGHT

50-70w

Light source

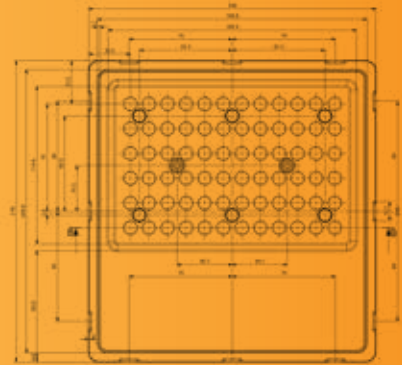
High efficiency long life LED module with SMD LED package mounted on MCPCB, Lumen efficacy of LED 170 lm/W with PC lens to ensure better uniformity of light distribution.

Product Feature

- Delivers excellent illumination
- Long Life & photobiologically safe LEDs
- High performance electronic driver ensures zero maintenance
- Search protection upto 10kV
- IP 66 certified.
- Environment-friendly as it does not contain Mercury
- Instant light with low running temperatures
- Operating temperature: -10 C to + 55 C
- Operating voltage range: 120 V - 270 V
- Aluminium casting
- Tempered protective toughened glass thermal, shock and impact-resistant, fixed to the housing with SS screws



TECHNICAL DRAWING



Application Areas

- Building facade
- Transportation terminals etc.

TECHNICAL SPECIFICATION

MODEL	SYSTEM POWER(W)	DIMENSIONS (MM)	COMPLETE LIGHT WEIGHT (APPROX)	NOMINAL VOLTAGE (V)	MAINS CURRENT (A)	COLOR RENDERING INDEX (CRI)	SYSTEM LUMENS (LM) (+/-5%)	COLOUR TEMP (CCT)	SYSTEM LUMENS EFFICACY LM/W	THD	PF
SFLHBFL 50W	50	240X230X40	1.5	230	0.217	>=70	>=5250	6000 ± 500K	Minimum 105 lm/W	<10%	>0.95
SFLHBFL 60W	60	240X230X40	1.5	230	0.261	>=70	>=6300	6000 ± 500K	Minimum 105 lm/W	<10%	>0.95
SFLHBFL 70W	70	240X230X40	1.8	230	0.304	>=70	>=7875	6000 ± 500K	Minimum 105 lm/W	<10%	>0.95
SFLHBFL 75W	75	240X230X40	1.8	230	0.362	>=71	>=8400	6000 ± 500K	Minimum 105 lm/W	<10%	>0.95

FLOOD LIGHT

100-120w

Light source

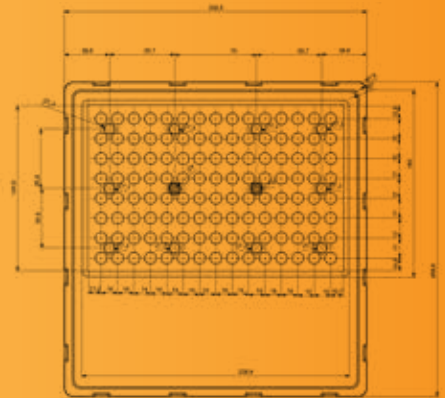
High efficiency long life LED module with SMD LED package mounted on MCPCB, Lumen efficacy of LED 170 lm/W with PC lens to ensure better uniformity of light distribution.

Product Feature

- Delivers excellent illumination
- Long Life & photobiologically safe LEDs
- High performance electronic driver ensures zero maintenance
- Search protection upto 10kV
- IP 66 certified.
- Environment-friendly as it does not contain Mercury
- Instant light with low running temperatures
- Operating temperature: -10 C to + 55 C
- Operating voltage range: 120 V - 270 V
- Aluminium casting
- Tempered protective toughened glass thermal, shock and impact-resistant, fixed to the housing with SS screws



TECHNICAL DRAWING



Application Areas

- Building facade
- Transportation terminals etc.

TECHNICAL SPECIFICATION

MODEL	SYSTEM POWER(W)	DIMENSIONS (MM)	COMPLETE LIGHT WEIGHT (APPROX)	NOMINAL VOLTAGE (V)	MAINS CURRENT (A)	COLOR RENDERING INDEX (CRI)	SYSTEM LUMENS (LM) (+/-5%)	COLOUR TEMP (CCT)	SYSTEM LUMENS EFFICACY LM/W	THD	PF
SFLHBFL 80W	80	290X280X50	2.1	230	0.348	>=70	>=8400	6000 ± 500K	Minimum 105 lm/W	<10%	>0.95
SFLHBFL 90W	90	290X280X50	2.1	230	0.391	>=70	>=9450	6000 ± 500K	Minimum 105 lm/W	<10%	>0.95
SFLHBFL 100W	100	290X280X50	2.5	230	0.435	>=70	>=10500	6000 ± 500K	Minimum 105 lm/W	<10%	>0.95
SFLHBFL 120W	120	290X280X50	2.7	230	0.522	>=71	>=12600	6000 ± 500K	Minimum 105 lm/W	<10%	>0.95

FLOOD LIGHT

150-200w

Light source

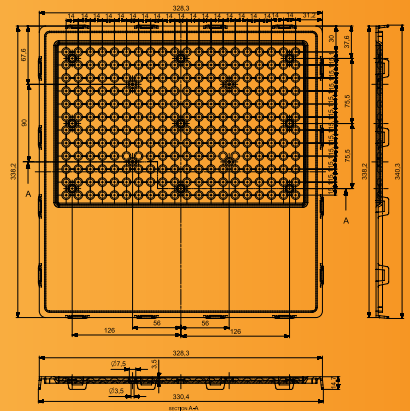
High efficiency long life LED module with SMD LED package mounted on MCPCB, Lumen efficacy of LED 170 lm/W with PC lens to ensure better uniformity of light distribution.

Product Feature

- Delivers excellent illumination
- Long Life & photobiologically safe LEDs
- High performance electronic driver ensures zero maintenance
- Search protection upto 10kV
- IP 66 certified.
- Environment-friendly as it does not contain Mercury
- Instant light with low running temperatures
- Operating temperature: -10 C to + 55 C
- Operating voltage range: 120 V - 270 V
- Aluminium casting
- Tempered protective toughened glass thermal, shock and impact-resistant, fixed to the housing with SS screws



TECHNICAL DRAWING



Application Areas

- Building facade
- Transportation terminals etc.

TECHNICAL SPECIFICATION

MODEL	SYSTEM POWER(W)	DIMENSIONS (MM)	COMPLETE LIGHT WEIGHT (APPROX)	NOMINAL VOLTAGE (V)	MAINS CURRENT (A)	COLOR RENDERING INDEX (CRI)	SYSTEM LUMENS (LM) (+/-5%)	COLOUR TEMP (CCT)	SYSTEM LUMENS EFFICACY LM/W	THD	PF
SFLHBFL 180W	180	360X350X55	4.1	230	0.783	>=70	>=18900	6000 ± 500K	Minimum 105 lm/W	<10%	>0.95
SFLHBFL 200W	200	360X350X55	4.2	230	0.870	>=70	>=21000	6000 ± 500K	Minimum 105 lm/W	<10%	>0.95
SFLHBFL 220W	220	360X350X55	4.5	230	0.957	>=70	>=23100	6000 ± 500K	Minimum 105 lm/W	<10%	>0.95

FLOOD LIGHT BACK CHOKE

250-300W

Light source

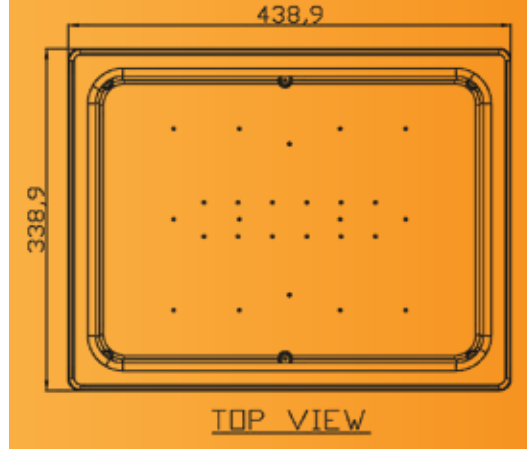
High efficiency long life LED module with SMD LED package mounted on MCPCB, Lumen efficacy of LED 170 lm/W with PC lens to ensure better uniformity of light distribution.

Product Feature

- Delivers excellent illumination
- Long Life & photobiologically safe LEDs
- High performance electronic driver ensures zero maintenance
- Search protection upto 10kV
- IP 66 certified.
- Environment-friendly as it does not contain Mercury
- Instant light with low running temperatures
- Operating temperature: -10 C to + 55 C
- Operating voltage range: 120 V - 270 V
- Aluminium casting
- Tempered protective toughened glass thermal, shock and impact-resistant, fixed to the housing with SS screws



TECHNICAL DRAWING



Application Areas

- Building facade
- Transportation terminals etc.

TECHNICAL SPECIFICATION

MODEL	SYSTEM POWER(W)	DIMENSIONS (MM)	COMPLETE LIGHT WEIGHT (APPROX)	NOMINAL VOLTAGE (V)	MAINS CURRENT (A)	COLOR RENDERING INDEX (CRI)	SYSTEM LUMENS (LM) (+/-5%)	COLOUR TEMP (CCT)	SYSTEM LUMENS EFFICACY LM/W	THD	PF
SFLHBFL 300W	300	440X340X140	8.5	230	1.304	>=70	>=31500	6000 ± 500K	Minimum 105 lm/W	<10%	>0.95
SFLHBFL 350W	350	440X340X140	8.8	230	1.522	>=70	>=36750	6000 ± 500K	Minimum 105 lm/W	<10%	>0.95



LED FLOOD LIGHT

FLOOD LIGHT BACK CHOKE

200W

Light source

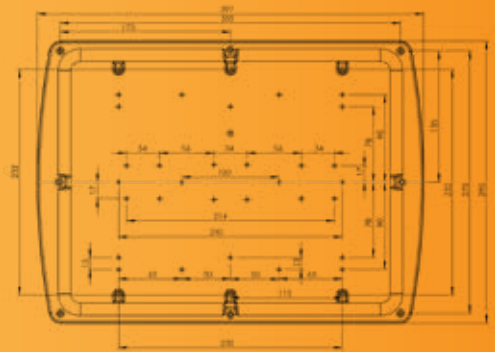
High efficiency long life LED module with SMD LED package mounted on MCPCB, Lumen efficacy of LED 170 lm/W with PC lens to ensure better uniformity of light distribution.

Product Feature

- Delivers excellent illumination
- Long Life & photobiologically safe LEDs
- High performance electronic driver ensures zero maintenance
- Search protection upto 10kV
- IP 66 certified.
- Environment-friendly as it does not contain Mercury
- Instant light with low running temperatures
- Operating temperature: -10 C to + 55 C
- Operating voltage range: 120 V - 270 V
- Aluminium casting
- Tempered protective toughened glass thermal, shock and impact-resistant, fixed to the housing with SS screws



TECHNICAL DRAWING



Application Areas

- Building facade
- Transportation terminals etc.

TECHNICAL SPECIFICATION

MODEL	SYSTEM POWER(W)	DIMENSIONS (MM)	COMPLETE LIGHT WEIGHT (APPROX)	NOMINAL VOLTAGE (V)	MAINS CURRENT (A)	COLOR RENDERING INDEX (CRI)	SYSTEM LUMENS (LM) (+/-5%)	COLOUR TEMP (CCT)	SYSTEM LUMENS EFFICACY LM/W	THD	PF
SFLHBFL 180W	180	350X232X125	5.2	230	0.783	>=70	>=18900	6000 ± 500K	Minimum 105 lm/W	<10%	>0.95
SFLHBFL 200W	200	350X232X125	5.2	230	0.870	>=70	>=21000	6000 ± 500K	Minimum 105 lm/W	<10%	>0.95
SFLHBFL 220W	220	350X232X125	5.5	230	0.957	>=70	>=23100	6000 ± 500K	Minimum 105 lm/W	<10%	>0.95

FLOOD LIGHT

300-400w

Light source

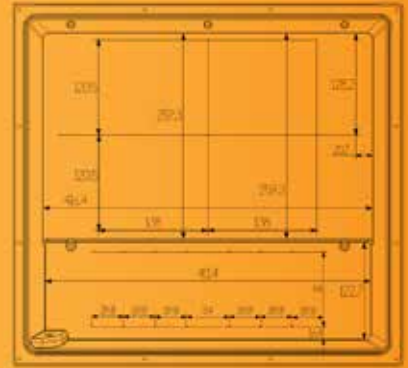
High efficiency long life LED module with SMD LED package mounted on MCPCB, Lumen efficacy of LED 170 lm/W with PC lens to ensure better uniformity of light distribution.

Product Feature

- Delivers excellent illumination
- Long Life & photobiologically safe LEDs
- High performance electronic driver ensures zero maintenance
- Search protection upto 10kV
- IP 66 certified.
- Environment-friendly as it does not contain Mercury
- Instant light with low running temperatures
- Operating temperature: -10 C to + 55 C
- Operating voltage range: 120 V - 270 V
- Aluminium casting
- Tempered protective toughened glass thermal, shock and impact-resistant, fixed to the housing with SS screws



TECHNICAL DRAWING



Application Areas

- Building facade
- Transportation terminals etc.

TECHNICAL SPECIFICATION

MODEL	SYSTEM POWER(W)	DIMENSIONS (MM)	COMPLETE LIGHT WEIGHT (APPROX)	NOMINAL VOLTAGE (V)	MAINS CURRENT (A)	COLOR RENDERING INDEX (CRI)	SYSTEM LUMENS (LM) (+/-5%)	COLOUR TEMP (CCT)	SYSTEM LUMENS EFFICACY LM/W	THD	PF
SFLHBFL 350W	350	465X500X70	8.4	230	1.522	>=70	>=36750	6000 ± 500K	Minimum 105 lm/W	<10%	>0.95
SFLHBFL 400W	400	465X500X70	8.8	230	1.739	>=70	>=42000	6000 ± 500K	Minimum 105 lm/W	<10%	>0.95

FLOOD LIGHT BACK CHOKE

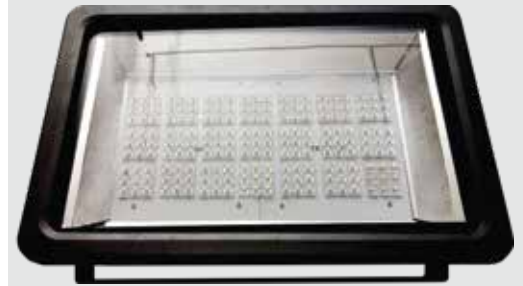
500-600W

Light source

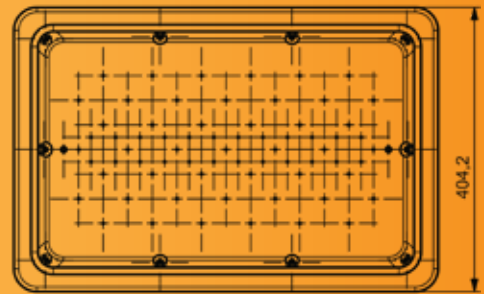
High efficiency long life LED module with SMD LED package mounted on MCPCB, Lumen efficacy of LED 170 lm/W with PC lens to ensure better uniformity of light distribution.

Product Feature

- Delivers excellent illumination
- Long Life & photobiologically safe LEDs
- High performance electronic driver ensures zero maintenance
- Search protection upto 10kV
- IP 66 certified.
- Environment-friendly as it does not contain Mercury
- Instant light with low running temperatures
- Operating temperature: -10 C to + 55 C
- Operating voltage range: 120 V - 270 V
- Aluminium casting
- Tempered protective toughened glass thermal, shock and impact-resistant, fixed to the housing with SS screws



TECHNICAL DRAWING

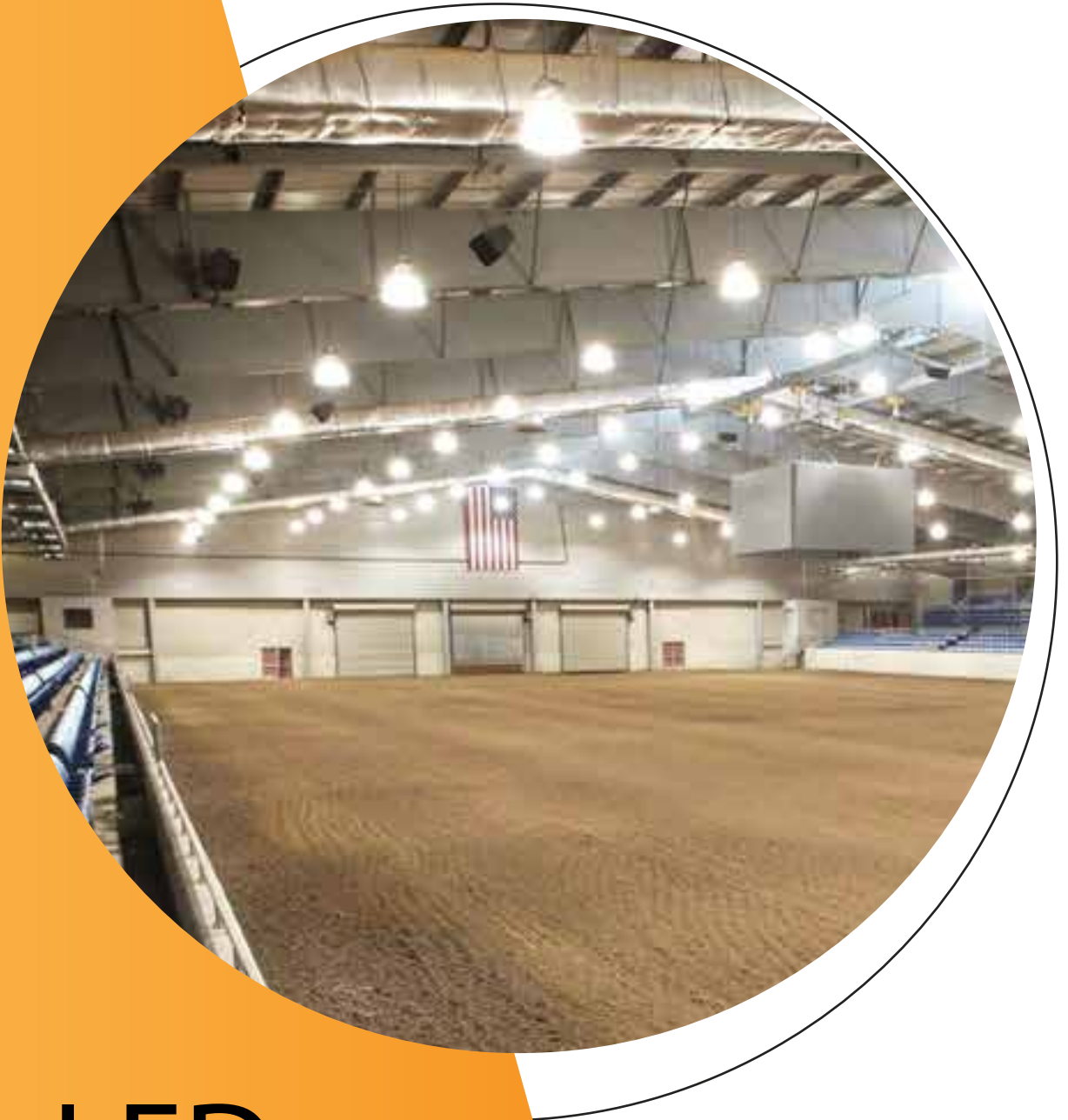


Application Areas

- Building facade
- Transportation terminals etc.

TECHNICAL SPECIFICATION

MODEL	SYSTEM POWER(W)	DIMENSIONS (MM)	COMPLETE LIGHT WEIGHT (APPROX)	NOMINAL VOLTAGE (V)	MAINS CURRENT (A)	COLOR RENDERING INDEX (CRI)	SYSTEM LUMENS (LM) (+/-5%)	COLOUR TEMP (CCT)	SYSTEM LUMENS EFFICACY LM/W	THD	PF
SFLHBFL 500W	500	605X405X111	15.5	230	2.174	>=70	>=52500	6000 ± 500K	Minimum 105 lm/W	<10%	>0.95
SFLHBFL 600W	600	605X405X111	15.9	230	2.609	>=70	>=63000	6000 ± 500K	Minimum 105 lm/W	<10%	>0.95



LED STADIUM LIGHT

STADIUM LIGHT

1600w

Light source

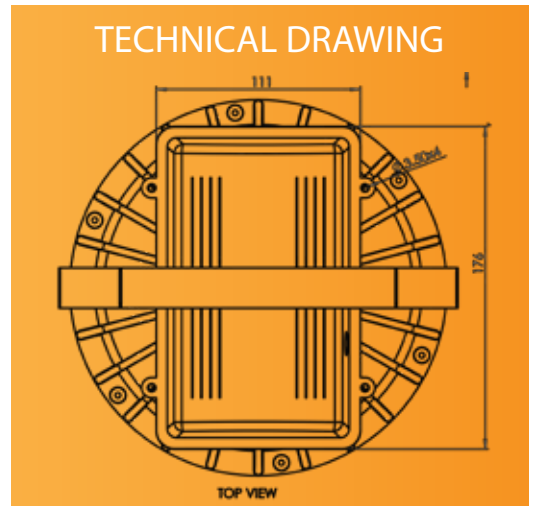
High efficiency long life LED module with SMD LED package mounted on MCPCB, Lumen efficacy of LED 170 lm/W with PC lens to ensure better uniformity of light distribution.

Product Feature

- Delivers excellent illumination
- Long Life & photobiologically safe LEDs
- High performance electronic driver ensures zero maintenance
- Search protection upto 10kV
- IP 66 certified.
- Environment-friendly as it does not contain Mercury
- Instant light with low running temperatures
- Operating temperature: -10 C to + 55 C
- Operating voltage range: 120 V - 270 V
- Aluminium casting
- Tempered protective toughened glass thermal, shock and impact-resistant, fixed to the housing with SS screws



TECHNICAL DRAWING



Application Areas

- Hockey stadium light
- Tennis stadium light etc.

TECHNICAL SPECIFICATION

MODEL	SYSTEM POWER(W)	DIMENSIONS (MM)	COMPLETE LIGHT WEIGHT (APPROX)	NOMINAL VOLTAGE (V)	MAINS CURRENT (A)	COLOR RENDERING INDEX (CRI)	SYSTEM LUMENS (LM) (+/-5%)	COLOUR TEMP (CCT)	SYSTEM LUMENS EFFICACY LM/W	THD	PF
SFLHBFL-1200W	1200	600	32	230	5.217	>=70	>=132000	6000 ± 500K	Minimum 110 lm/W	<10%	>0.95
SFLHBF-1400W	1400	600	34	230	6.087	>=70	>=160000	6000 ± 500K	Minimum 110 m/W	<10%	>0.95
SFLHBF-1600W	1600	600	44	230	6.957	>=70	>=180000	6000 ± 500K	Minimum 110 lm/W	<10%	>0.95



LED

FLAM PROOF LIGHT

FLAM PROOF LIGHT

30-72w

Light source

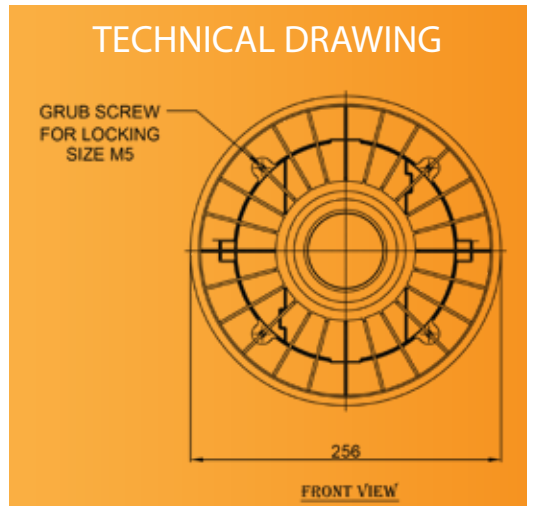
High efficiency long life LED module with SMD LED package mounted on MCPCB, Lumen efficacy of LED 170 lm/W with PC lens to ensure better uniformity of light distribution.

Product Feature

- Delivers excellent illumination
- Long Life & photobiologically safe LEDs
- High performance electronic driver ensures zero maintenance
- Search protection upto 10kV
- IP 66 certified.
- Environment-friendly as it does not contain Mercury
- Instant light with low running temperatures
- Operating temperature: -10 C to + 55 C
- Operating voltage range: 120 V - 270 V
- Aluminium casting
- Tempered protective toughened glass thermal, shock and impact-resistant, fixed to the housing with SS screws



TECHNICAL DRAWING



Application Areas

- Oil & gas industries
- Paint & dye factories etc.

TECHNICAL SPECIFICATION

MODEL	SYSTEM POWER(W)	DIMENSIONS (MM)	COMPLETE LIGHT WEIGHT (APPROX)	NOMINAL VOLTAGE (V)	MAINS CURRENT (A)	COLOR RENDERING INDEX (CRI)	SYSTEM LUMENS (LM) (+/-5%)	COLOUR TEMP (CCT)	SYSTEM LUMENS EFFICACY LM/W	THD	PF
FPL1F	30	250X140	3.1	230	0.152	>=70	>=3675	6000 ± 500K	Minimum 105 lm/W	<10%	>0.95
FPL1G	40	250X140	3.2	230	0.174	>=70	>=4200	6000 ± 500K	Minimum 105 lm/W	<10%	>0.95
FPL1H	45	250X140	3.2	230	0.196	>=70	>=4725	6000 ± 500K	Minimum 105 lm/W	<10%	>0.95
FPL1K	60	250X140	3.5	230	0.261	>=70	>=6300	6000 ± 500K	Minimum 105 lm/W	<10%	>0.95
FPL1L	72	250X140	3.9	230	0.313	>=70	>=7560	6000 ± 500K	Minimum 105 lm/W	<10%	>0.95

FLAM PROOF LIGHT

90-150w

Light source

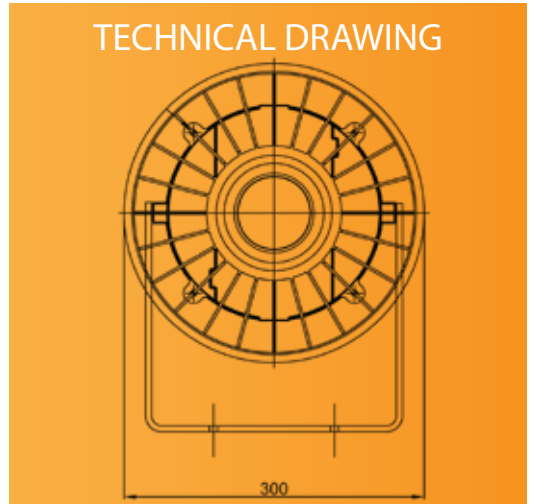
High efficiency long life LED module with SMD LED package mounted on MCPCB, Lumen efficacy of LED 170 lm/W with PC lens to ensure better uniformity of light distribution.

Product Feature

- Delivers excellent illumination
- Long Life & photobiologically safe LEDs
- High performance electronic driver ensures zero maintenance
- Search protection upto 10kV
- IP 66 certified.
- Environment-friendly as it does not contain Mercury
- Instant light with low running temperatures
- Operating temperature: -10 C to + 55 C
- Operating voltage range: 120 V - 270 V
- Aluminium casting
- Tempered protective toughened glass thermal, shock and impact-resistant, fixed to the housing with SS screws



TECHNICAL DRAWING



Application Areas

- Oil & gas industries
- Paint & dye factories etc.

TECHNICAL SPECIFICATION

MODEL	SYSTEM POWER(W)	DIMENSIONS (MM)	COMPLETE LIGHT WEIGHT (APPROX)	NOMINAL VOLTAGE (V)	MAINS CURRENT (A)	COLOR RENDERING INDEX (CRI)	SYSTEM LUMENS (LM) (+/-5%)	COLOUR TEMP (CCT)	SYSTEM LUMENS EFFICACY LM/W	THD	PF
FPL3A	90	290X150	5.4	230	0.391	>=70	>=9450	6000 ± 500K	Minimum 105 lm/W	<10%	>0.95
FPL3B	100	290X150	5.5	230	0.435	>=70	>=10500	6000 ± 500K	Minimum 105 lm/W	<10%	>0.95
FPL3D	120	290X150	5.6	230	0.522	>=70	>=12600	6000 ± 500K	Minimum 105 lm/W	<10%	>0.95
FPL3E	125	290X150	5.6	230	0.543	>=70	>=13125	6000 ± 500K	Minimum 105 lm/W	<10%	>0.95
FPL3H	150	290X150	5.8	230	0.652	>=70	>=15750	6000 ± 500K	Minimum 105 lm/W	<10%	>0.95



LED HIGH BAY LIGHT

HIGH BAY LIGHT

120-150w

Light source

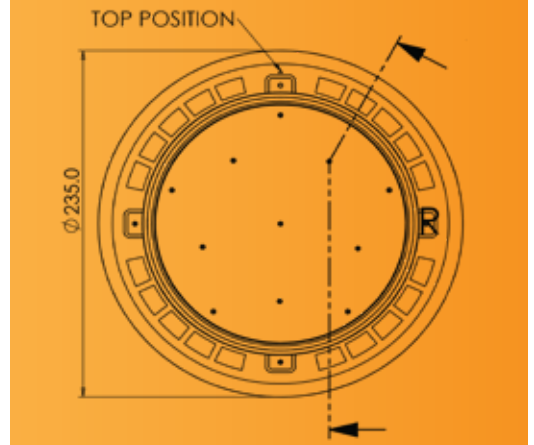
High efficiency long life LED module with SMD LED package mounted on MCPCB, Lumen efficacy of LED 170 lm/W with PC lens to ensure better uniformity of light distribution.

Product Feature

- Delivers excellent illumination
- Long Life & photobiologically safe LEDs
- High performance electronic driver ensures zero maintenance
- Search protection upto 10kV
- IP 66 certified.
- Environment-friendly as it does not contain Mercury
- Instant light with low running temperatures
- Operating temperature: -10 C to + 55 C
- Operating voltage range: 120 V - 270 V
- Aluminium casting
- Tempered protective toughened glass thermal, shock and impact-resistant, fixed to the housing with SS screws



TECHNICAL DRAWING



Application Areas

- Warehouses
- Manufacturing bays etc.

TECHNICAL SPECIFICATION

MODEL	SYSTEM POWER(W)	DIMENSIONS (MM)	COMPLETE LIGHT WEIGHT (APPROX)	NOMINAL VOLTAGE (V)	MAINS CURRENT (A)	COLOR RENDERING INDEX (CRI)	SYSTEM LUMENS (LM) (+/-5%)	COLOUR TEMP (CCT)	SYSTEM LUMENS EFFICACY LM/W	THD	PF
SFLHBFL 100W	100	235X120	2.1kg	230	0.435	>=70	>=10500	6000 ± 500K	Minimum 105 lm/W	<10%	>0.95
SFLHBFL 150W	150	275X125	2.8 kg	230	0.652	>=70	>=15750	6000 ± 500K	Minimum 105 lm/W	<10%	>0.95
SFLHBFL 200W	200	325X150	4.4 kg	230	0.870	>=70	>=21000	6000 ± 500K	Minimum 105 lm/W	<10%	>0.95
SFLHBFL 250W	250	355X150	5.2 kg	230	0.087	>=70	>=26250	6000 ± 500K	Minimum 105 lm/W	<10%	>0.95



LED

WELL GLASS
LIGHT

WELL GLASS LIGHT

30-40w

Light source

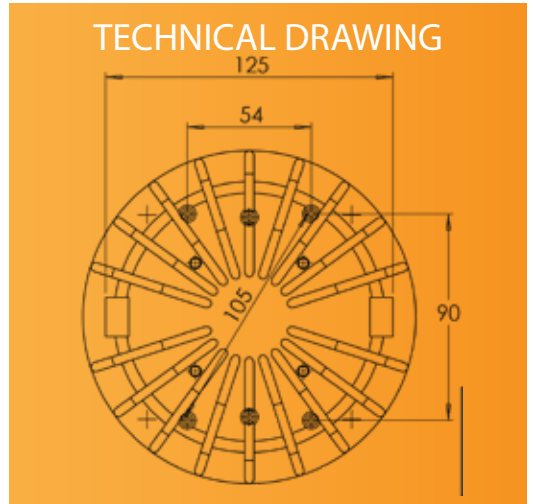
High efficiency long life LED module with SMD LED package mounted on MCPCB, Lumen efficacy of LED 170 lm/W with PC lens to ensure better uniformity of light distribution.

Product Feature

- Delivers excellent illumination
- Long Life & photobiologically safe LEDs
- High performance electronic driver ensures zero maintenance
- Search protection upto 10kV
- IP 66 certified.
- Environment-friendly as it does not contain Mercury
- Instant light with low running temperatures
- Operating temperature: -10 C to + 55 C
- Operating voltage range: 120 V - 270 V
- Aluminium casting
- Tempered protective toughened glass thermal, shock and impact-resistant, fixed to the housing with SS screws



TECHNICAL DRAWING



Application Areas

- Oil & gas industries
- Paint & dye factories etc.

TECHNICAL SPECIFICATION

MODEL	SYSTEM POWER(W)	DIMENSIONS (MM)	COMPLETE LIGHT WEIGHT (APPROX)	NOMINAL VOLTAGE (V)	MAINS CURRENT (A)	COLOR RENDERING INDEX (CRI)	SYSTEM LUMENS (LM) (+/-5%)	COLOUR TEMP (CCT)	SYSTEM LUMENS EFFICACY LM/W	THD	PF
WGL1H	45	175X100	1.5	230	0.196	>=70	>=4725	6000 ± 500K	Minimum 105 lm/W	<10%	>0.95
WGL1I	50	175X100	1.6	230	0.217	>=70	>=5250	6001 ± 500K	Minimum 105 lm/W	<10%	>0.95
WGL2B	60	175X100	1.6	230	0.261	>=70	>=6300	6002 ± 500K	Minimum 105 lm/W	<10%	>0.95
WGL2C	70	175X100	1.6	230	0.304	>=70	>=7350	6002 ± 500K	Minimum 105 lm/W	<10%	>0.95

WELL GLASS LIGHT

40-50w

Light source

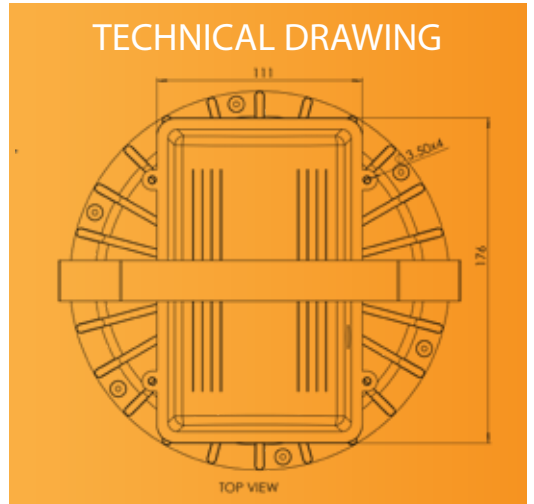
High efficiency long life LED module with SMD LED package mounted on MCPCB, Lumen efficacy of LED 170 lm/W with PC lens to ensure better uniformity of light distribution.

Product Feature

- Delivers excellent illumination
- Long Life & photobiologically safe LEDs
- High performance electronic driver ensures zero maintenance
- Search protection upto 10kV
- IP 66 certified.
- Environment-friendly as it does not contain Mercury
- Instant light with low running temperatures
- Operating temperature: -10 C to + 55 C
- Operating voltage range: 120 V - 270 V
- Aluminium casting
- Tempered protective toughened glass thermal, shock and impact-resistant, fixed to the housing with SS screws



TECHNICAL DRAWING



Application Areas

- Oil & gas industries
- Paint & dye factories etc.

TECHNICAL SPECIFICATION

MODEL	SYSTEM POWER(W)	DIMENSIONS (MM)	COMPLETE LIGHT WEIGHT (APPROX)	NOMINAL VOLTAGE (V)	MAINS CURRENT (A)	COLOR RENDERING INDEX (CRI)	SYSTEM LUMENS (LM) (+/-5%)	COLOUR TEMP (CCT)	SYSTEM LUMENS EFFICACY LM/W	THD	PF
WGL1E	30	150X80	1.1	230	0.130	>=70	>=3150	6000 ± 500K	Minimum 105 lm/W	<10%	>0.95
WGL1F	35	150X80	1.1	230	0.152	>=70	>=3675	6001 ± 500K	Minimum 105 lm/W	<10%	>0.95
WGL1G	40	150X80	1.2	230	0.174	>=70	>=4200	6002 ± 500K	Minimum 105 lm/W	<10%	>0.95



Our Client



And Many More....

WMEL

We Illuminate



WM ENERGY AND LIGHTING PVT LTD

C-5, Site-IV, Industrial Area,
Sahibabad, Ghaziabad-201010

+91 8130891643
Info@wmel.in

www.wmel.in